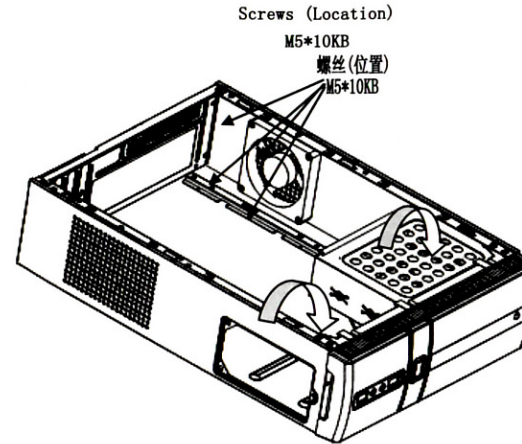


安装说明书

INSTALLATION INSTRUCTION

1. 打开侧板与前面板

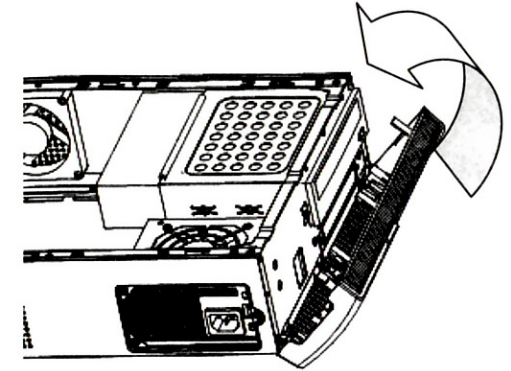
1. Open the side panel and front panel



打开1固定螺丝后将侧板取下，然后将机箱前面板如图示拆开。
Open the one side screws will be removed, and then open the chassis front panel as show

4. 安装面板

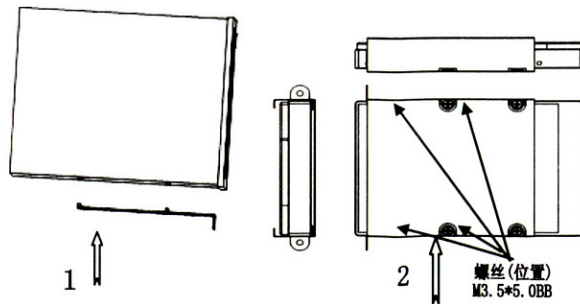
4. Installation panel



安装面板时将面板的扣卡位对准前板卡位向箭头方向推压。
When the panel button to install card-bit aligned position before the board to push the arrow the direction of pressure.

2. 安装光驱卡条硬盘盒位置

2. Location of installation CD-ROM drive card

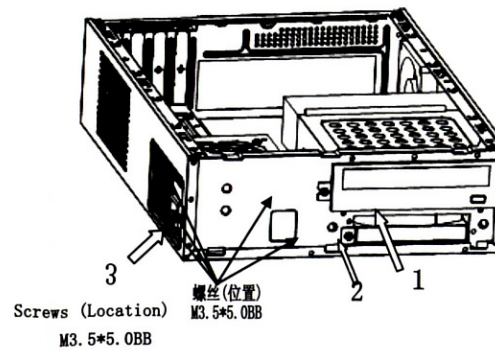


如图1. 将光驱卡片四个卡位卡到光驱左边，上面四个螺丝孔位上，然后将卡片上的光驱安装到机箱光驱位置上。
如图2. 将超薄硬盘(厚19.5MM)安装在硬盘盒里面，背面锁4个M3.5*5BB螺丝，然后将硬盘盒安装到机箱硬盘位置上。
另卡片安装常规硬盘(厚26MM)左边，上面四个螺丝孔位上，然后将卡片上的硬盘安装到机箱硬盘位置上。

- 1) put the four card on the left position of CD-ROM card and then lock on 4 crews then install the CD-ROM on the chassis location .
- 2) install the upper thin hard disk(thickness 19.5.mm)to the inside of HDD enclosure lock on four(M3.5*5BB)screws on the dack side then install the normal hard disk(thickness 26mm)to the HDD enclosure left side,lock on four screws.then install the hard disk on the chassis location.

3. 安装光驱. 硬盘. 电源

3. Installation CD-ROM. Hard. Power Supply

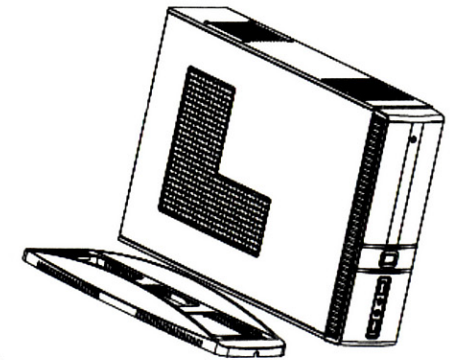


以上如箭头指定位置：1. 光驱安装在机箱位置。2. 硬盘安装在机箱位置
3. 电源安装在机箱位置。

- Arrows above the specified location
1. Drive installed in the chassis location
 2. Hard disk installed in the chassis location
 3. Location of power supply installed in the chassis

5. 安装机箱支撑脚垫

5. Install chassis supporting pad



如图示安装脚垫。
Install foot pad as shown.